

IMPULSE HAND SEALER

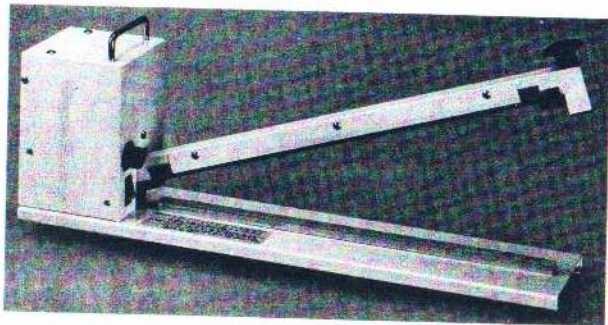
SUPER LARGEST

INSTRUCTION MANUAL



**BOATMAN
MARKING**

Packaging Supplies & Equipment



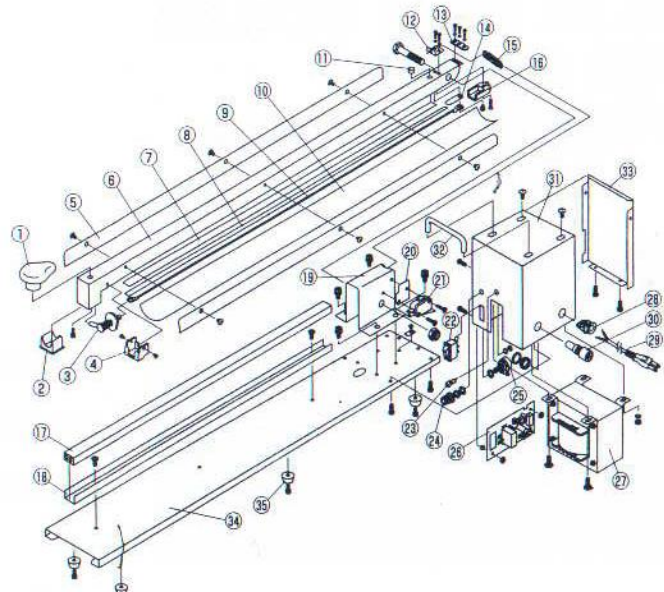
BOATMAN MARKING
2553 Lee Avenue
South El Monte, CA 91733
Phone: (626) 350-9700
Fax: (626) 350-8045

450HI/HR

600HI/HR

800HI/HR

1 CONSTRUCTION DIAGRAM



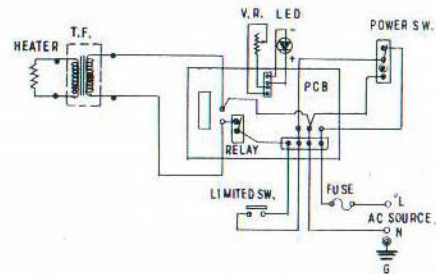
- | | | | |
|----|-----------------------------|----|-------------------|
| 1 | HANDLE KNOB | 19 | ARM BRACKET |
| 2 | END CUP | 20 | SWITCH INSULATION |
| 3 | HEATING ELECTRIC ATTACHMENT | 21 | LIMITED SWITCH |
| 4 | HEATER FORE COVER | 22 | POWER SWITCH |
| 5 | FIXED TEFLON PLATE | 23 | HEATING LAMP |
| 6 | PLATEN ARM | 24 | TIMER KNOB |
| 7 | HEATER INSULATION PLATE | 25 | VARIABLE RESISTOR |
| 8 | LOWER TAPE | 26 | TIMER CONTROL PCB |
| 9 | HEATER ELEMENT | 27 | TRANSFORMER |
| 10 | TEFLON CLOTH | 28 | BUSHING |
| 11 | BOLT COVER | 29 | POWER SUPPER CORD |
| 12 | BRACKET FOR SPRING | 30 | FUSE HOLDER |
| 13 | SWITCH LEVER | 31 | ENCLOSUER BODY |
| 14 | HEATER PROTECTION PLATE | 32 | HANDLE |
| 15 | LEVER SPRING | 33 | BACK PLATE |
| 16 | HEATER BACK COVER | 34 | BASE PLATE |
| 17 | SILICON RUBBER | 35 | RUBBER FOOT |
| 18 | SEALING BRACKET | | |

2 CHANGING PARTS

REMOVE PLUG FROM ELECTRIC OUTLET
REPLACING HEATING ELEMENT WIRE

- (a) Loosen teflon remove pressing teflon.
- (b) Remove black end cap.
- (c) Lift up teflon and remove broken element wire from heater spring boss.
- (d) Another heater wire terminal put on platen arm by screw.
- (e) Put new element wire on heater spring boss and platen arm screw do not bend. (DO NOT BEND OR CRIMP THE WIRE)
- (f) Replace teflon on the heater wire.

3 CONNECTION DIAGRAM



4 CHARACTERISTIC

- Easy to operate, short distance from your working table only 2.8cm
- Super largest seal length [MAX 800mm]
- Impulse sealing with electronic control, heating time from 0.3sec~2.0sec
- it's more safety due to install the power switch and fuse
- With handle easy to carry

Round Element Wire Available For Cut & Seal.

OPERATION

g cord into AC outlet. No switch necessary. Machine will operate only when arm is depressed. Regulate the timer according to thickness of material to be sealed. Use a higher number for thicker material. Place material to be sealed, between jaws. Push handle down and keep compressed tightly until two seconds after light goes off. Sealing takes place when light is on.

Use a lower number in case seal burns through.

Use a higher number when seal isn't tight.

If the bag sticks to silicon rubber, you did not allow enough sealing time.

Once you set the heating timer, there is no need to reset. It will remain constant and unchanged.

You need to remove plug from socket as machine will not operate until handle is lowered. No power is consumed.

6 NOTES

- Always keep sealing platform clean. Leaving residue will reduce life of element, teflon, and silicon rubber.
- Never use moisture to clean sealing surface.
- Replace torn teflon at once. A torn cloth will short circuit the element and damage it. Every time you replace the element, replace the lower and upper teflon cloth.
- For best operation, use only genuine replacement parts.
- A worn silicon rubber will influence the seal, change the silicon when worn or burned.
- Disconnect plug from electrical outlet before servicing the machine.
- To replace cutting blade, slide cutter toward slot near handle. Lift slider up and out. Loosen screw only and remove blade with plier. Replace with new blade, tighten screw and reinsert holder as arrow on top indicates. (WITH CUT TYPE)

No.	Description	Part Number
1	Handle Knob	*BA450I
2	End Cap	*ENDCAP-I
3	Heating Elec. Attacnew	*POST-I
4	Heater Fore Cover	*COVER-F
5	Fixed Teflon Plate	*TFP450T
6	Plate Arm	*ARM450T
7	Heater Insulation Plate	*PLATE#7
8	Lower Tape	*TFL450T
9	Heater Element	*EF450T2
10	Teflon Cloth	*TF450T
11	Bolt Cover	*BOLT-CO
12	Bracket For Spring	*BRACKET
13	Switch Lever	*LEVER-I
14	Heater Protection Plate	*450#14
15	Lever Spring	*MOVESP18
16	Heater Back Cover	*COVER-B
17	Silicon Rubber	*SR2018
18	Sealing Bracket	*450T#18
19	Arm Bracket	*450T#19
20	Switch Insulation	*INSULAT
21	Limited Switch	*MICRO-SW
22	Power Switch	*SW#13
23		
24	Timer Knob	*KNOB
25	Variable Resistor	*VR250K
26	Timer Control PCB	*TI2018
27	MS Insulating Electric Piece	*TR2018I
28	Bushing	*CORDHORD
29	Power Supply Cord	*CORD-AF
30	Fuse Holder	*FUSEBOXA
31	Enclosure Body	*BD-450T
32	Handle	*HANLE
33	Back Plate	*PLATE#33
34	Base Plate	*BASE450T
35	Rubber Foot	*FOOT-I
36		
37		
38	*ENDCAP-I=450T/600T/800T	